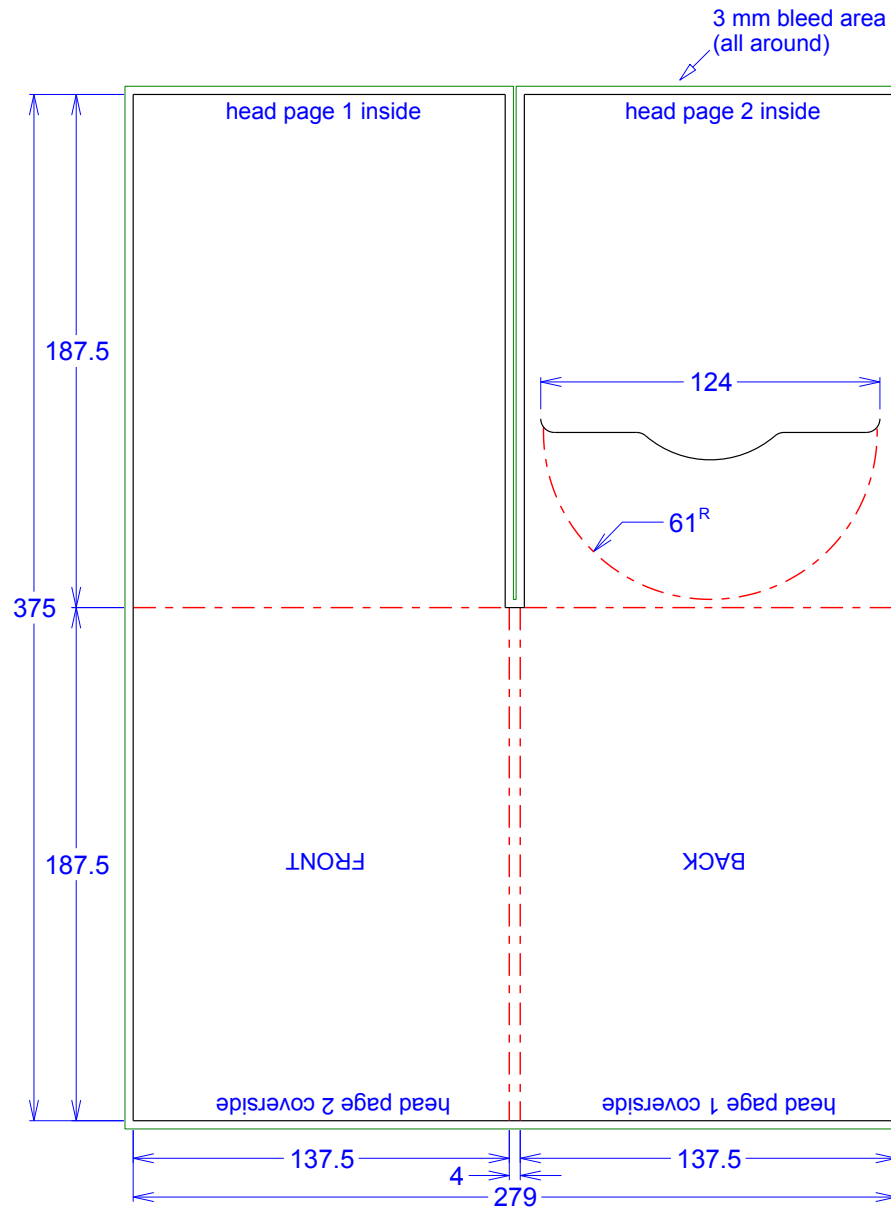


Outside view, pdf to be used for viewing purposes only! Request EPS for providing the artwork/design.



3 mm bleed area
(all around)

CAD Reference:

DVDAX22XXX

DESCRIPTION: *4 Page Digifile for 1 CD on P2*

OWNER:

DATE: 02/07/08

DESIGNER:

BLANK SIZE: 375 x 279mm

NOTE: 3 mm Bleed Area (all around)

- CUT
- PERF
- CREASE
- BLEED