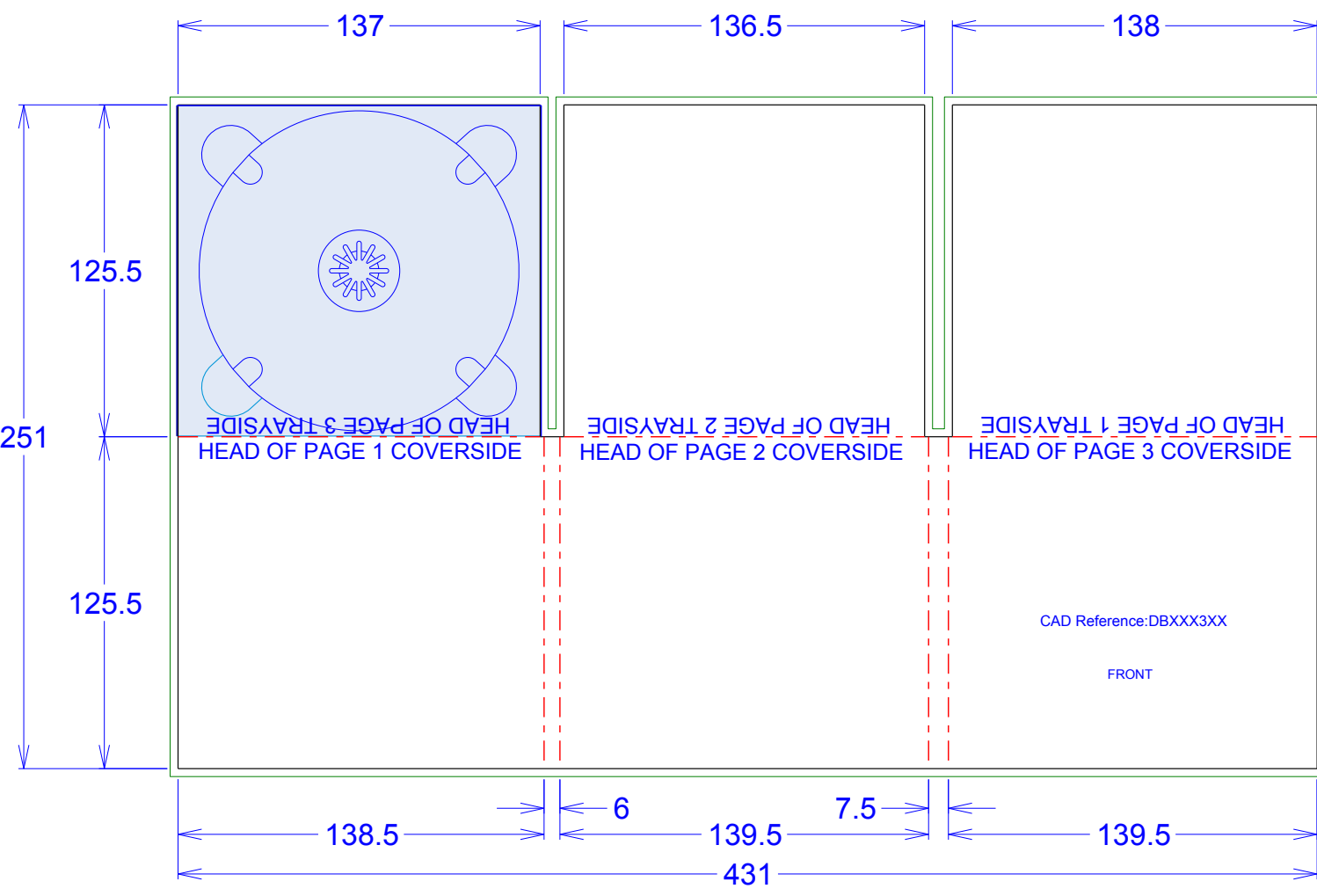


Outside view.pdf to be used for viewing purposes only! Request EPS for providing the artwork/design.



CAD Reference:

DBXXX3XX

CAD Reference:DBXXX3XX

FRONT

DESCRIPTION: **6PAGE DIGIPAK 1 CD-TRAY ON PAGE 3**

OWNER:

DATE: **24/08/07**

DESIGNER:

BLANK SIZE: **251 x 431mm**

MATERIAL:

NOTE:

- CUT
- PERF
- - - CREASE
- BLEED